

United  
States  
of  
America



*To Promote the Progress*



*of Science and Useful Arts*

## *The Director*

*of the United States Patent and Trademark Office has received an application for a patent for a new, original, and ornamental design for an article of manufacture. The title and description of the design are enclosed. The requirements of law have been complied with, and it has been determined that a patent on the design shall be granted under the law.*

*Therefore, this United States*

*Patent*

grants to the person(s) having title to this patent the right to exclude others from making, using, offering for sale, or selling the design throughout the United States of America or importing the design into the United States of America for the term set forth by law.



*Katherine Kelly Vidal*



DIRECTOR OF THE UNITED STATES PATENT AND TRADEMARK OFFICE

## **Maintenance Fee Notice**

No maintenance fees are required in design patents.

## **Patent Term Notice**

If the application for this patent was filed on or after May 13, 2015, the term of this patent is 15 years from the date of grant of this patent, subject to any disclaimer under 35 U.S.C. 253. If the application for this patent was filed prior to May 13, 2015, the term of this patent is 14 years from the date of grant of this patent, subject to any disclaimer under 35 U.S.C. 253.



USOD1044013S

(12) **United States Design Patent**  
**Yu**

(10) **Patent No.:** **US D1,044,013 S**

(45) **Date of Patent:** **\*\* Sep. 24, 2024**

- (54) **EYE MASSAGER**
- (71) Applicant: **Huizheng Yu**, Shenzhen (CN)
- (72) Inventor: **Huizheng Yu**, Shenzhen (CN)
- (\*\*) Term: **15 Years**
- (21) Appl. No.: **29/871,284**
- (22) Filed: **Feb. 16, 2023**
- (30) **Foreign Application Priority Data**  
Nov. 18, 2022 (CN) ..... 202230771053.9
- (51) **LOC (14) Cl.** ..... **24-01**
- (52) **U.S. Cl.**  
USPC ..... **D24/215**
- (58) **Field of Classification Search**  
USPC ..... D24/127, 188, 200, 211, 212, 213, 214,  
D24/215; D4/130, 131, 132, 133, 134,  
D4/135; D30/158  
CPC ..... A61N 5/0616; A61N 2005/0644; A61H  
2201/0153; A61H 39/04; A61H 15/0092;  
A61H 2015/0042; A61H 7/003; A61H  
7/005; A61H 15/0085; A61H 2205/024  
See application file for complete search history.

D956,996 S	*	7/2022	Costa	.....	D24/215
D970,743 S	*	11/2022	Brailey	.....	D24/215
D979,785 S	*	2/2023	Chou	.....	D24/215
D986,432 S	*	5/2023	Zhang	.....	D24/215
D991,478 S	*	7/2023	Xing	.....	D24/211
D1,002,862 S	*	10/2023	Qiao	.....	D24/215

**OTHER PUBLICATIONS**

Halipax, "Halipax Handheld Eye Massager with Nebulizer", Access Date: Jul. 1, 2024. <https://halipax.com/products/halipax-handheld-eye-massager-with-nebulizer> (Year: 2024).\*

Orbit, "Eye Massager", Application No. 6263979. Application Date: Feb. 23, 2023. [www.orbit.com](http://www.orbit.com) (Year: 2023).\*

Orbit, "Lezemei Eye Massager", Application No. 2023304867203. Application Date: Aug. 1, 2023. [www.orbit.com](http://www.orbit.com) (Year: 2023).\*

\* cited by examiner

*Primary Examiner* — Michael A Maharajh  
(74) *Attorney, Agent, or Firm* — Jeenam Park

(57) **CLAIM**

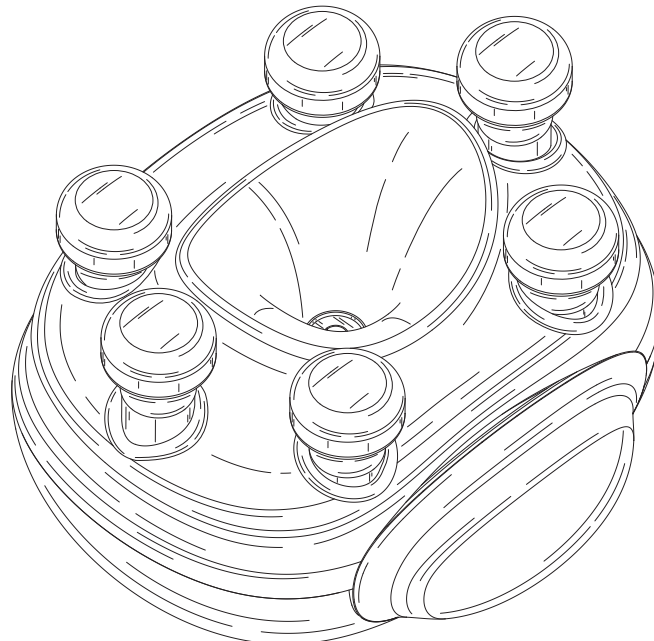
The ornamental design for an eye massager, as shown and described.

**DESCRIPTION**

FIG. 1 is a front, left and top perspective view of an eye massager, showing my new design;  
FIG. 2 is a rear, right and bottom perspective view thereof;  
FIG. 3 is a front view thereof;  
FIG. 4 is a rear view thereof;  
FIG. 5 is a left side view thereof;  
FIG. 6 is a right side view thereof;  
FIG. 7 is a top plan view thereof; and,  
FIG. 8 is a bottom plan view thereof.  
The broken lines shown in the drawings illustrate portions of the eye massager that form no part of the claimed design.

**1 Claim, 8 Drawing Sheets**

- (56) **References Cited**  
**U.S. PATENT DOCUMENTS**  
D694,415 S \* 11/2013 Viner ..... D24/213  
D732,182 S \* 6/2015 Viner ..... D24/212  
D844,163 S \* 3/2019 Du ..... D24/215  
D927,722 S \* 8/2021 Park ..... D4/136  
D928,334 S \* 8/2021 Chou ..... D24/215  
D946,165 S \* 3/2022 Kan ..... D24/215  
D949,420 S \* 4/2022 Chen ..... D24/215  
D949,431 S \* 4/2022 Park ..... D4/136



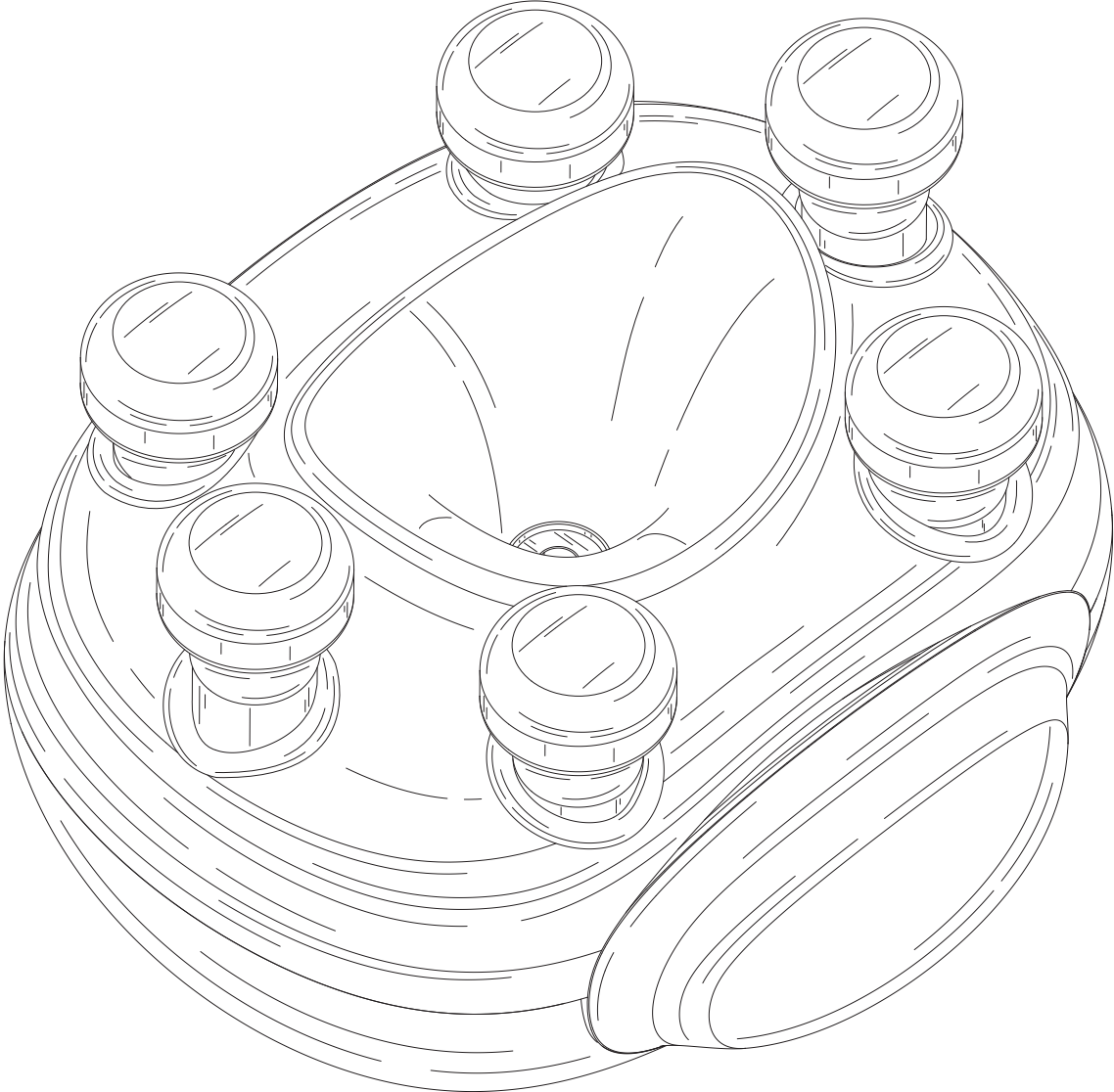


FIG. 1

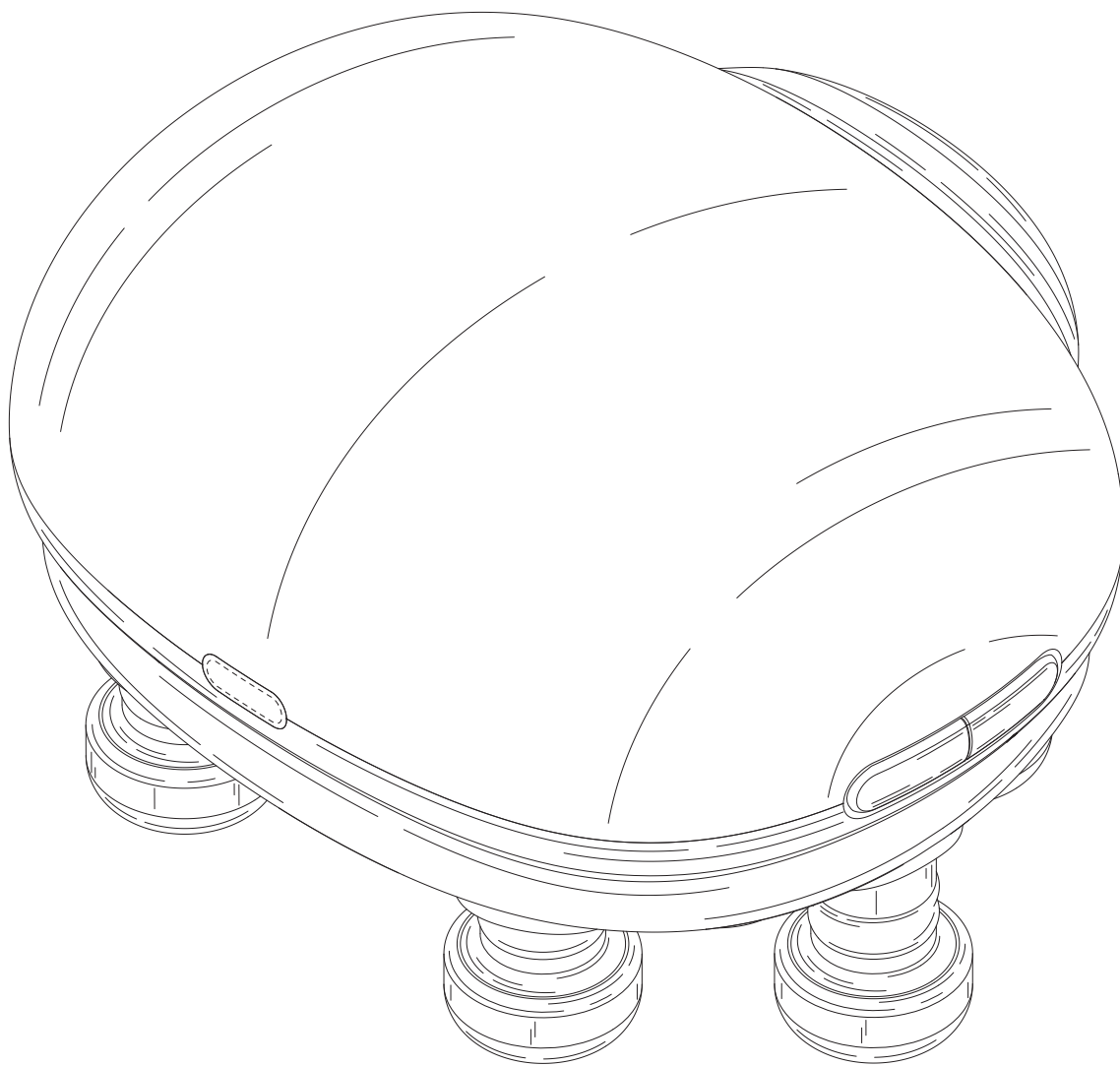


FIG. 2

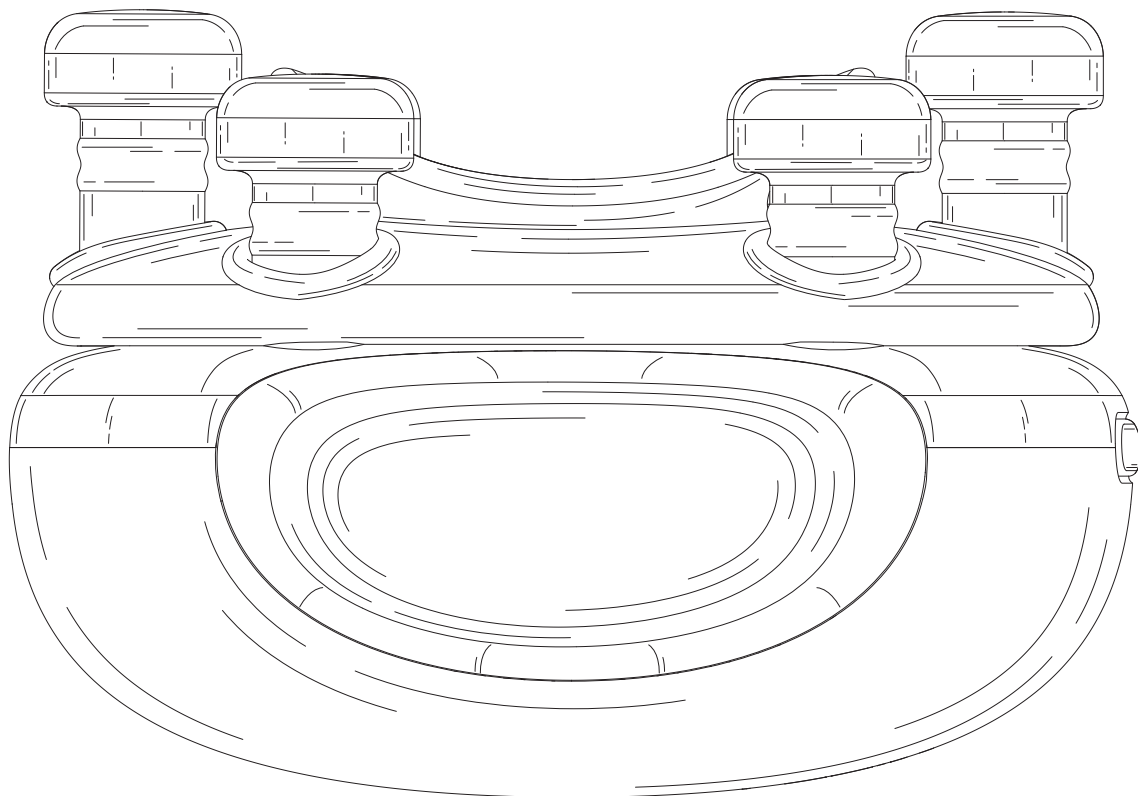


FIG. 3

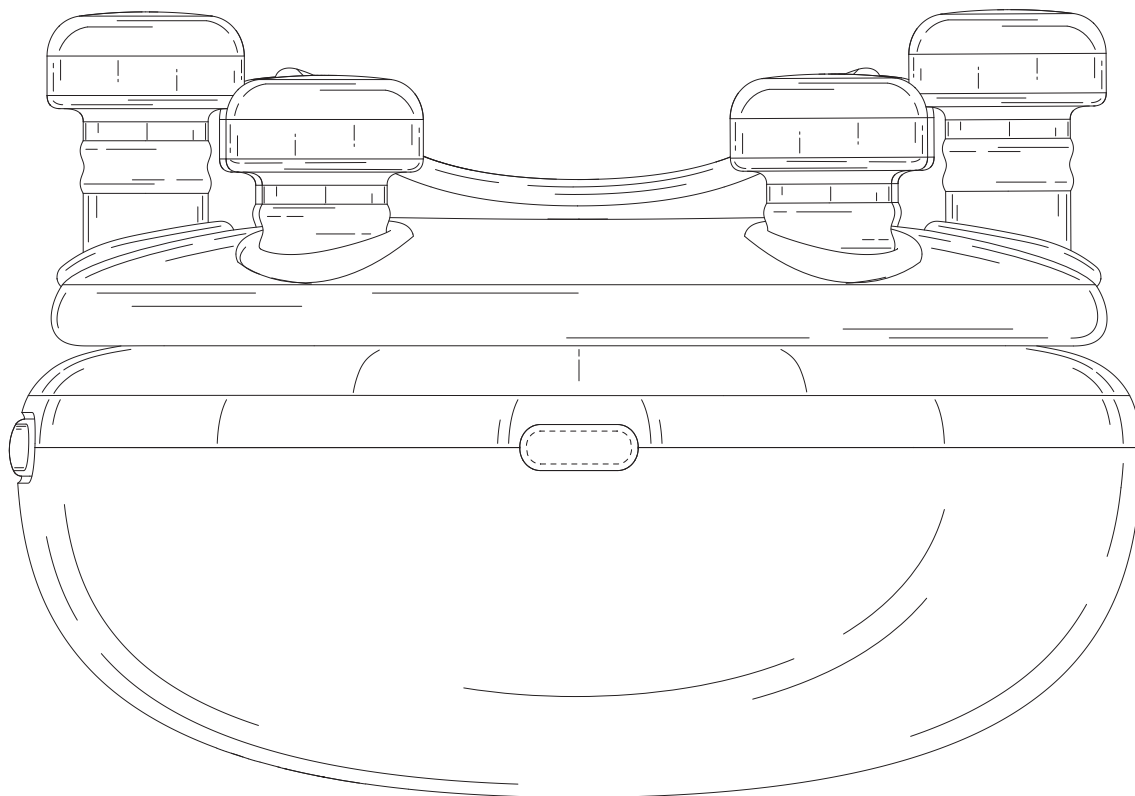


FIG. 4

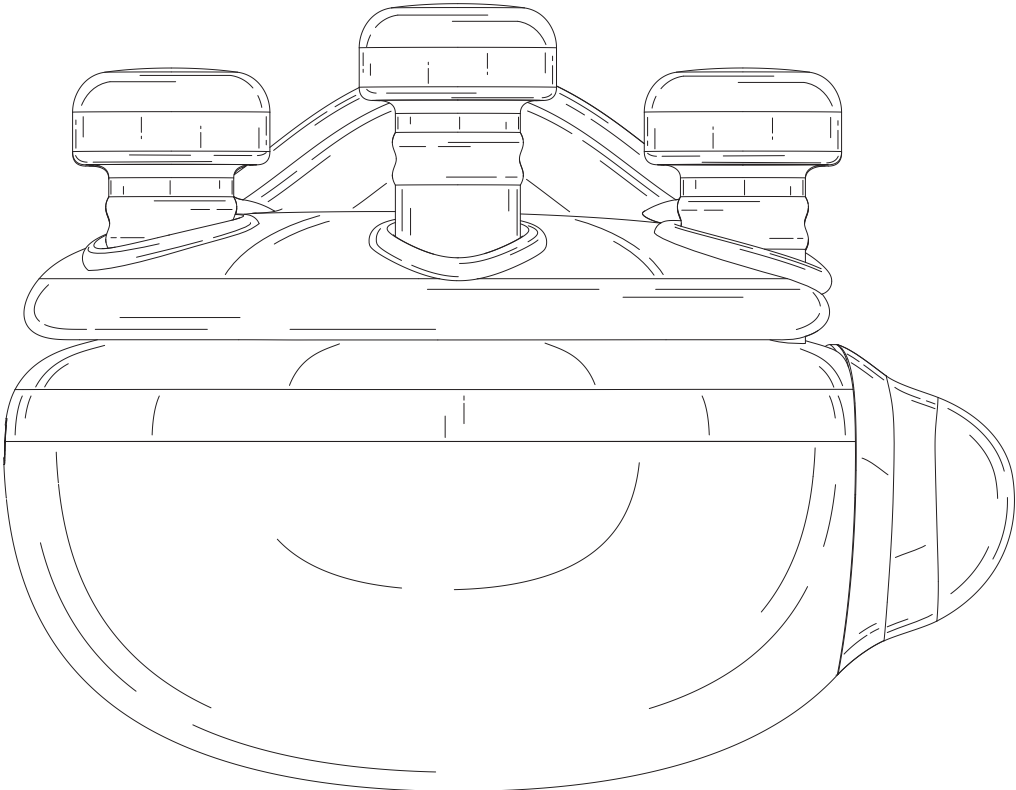


FIG. 5



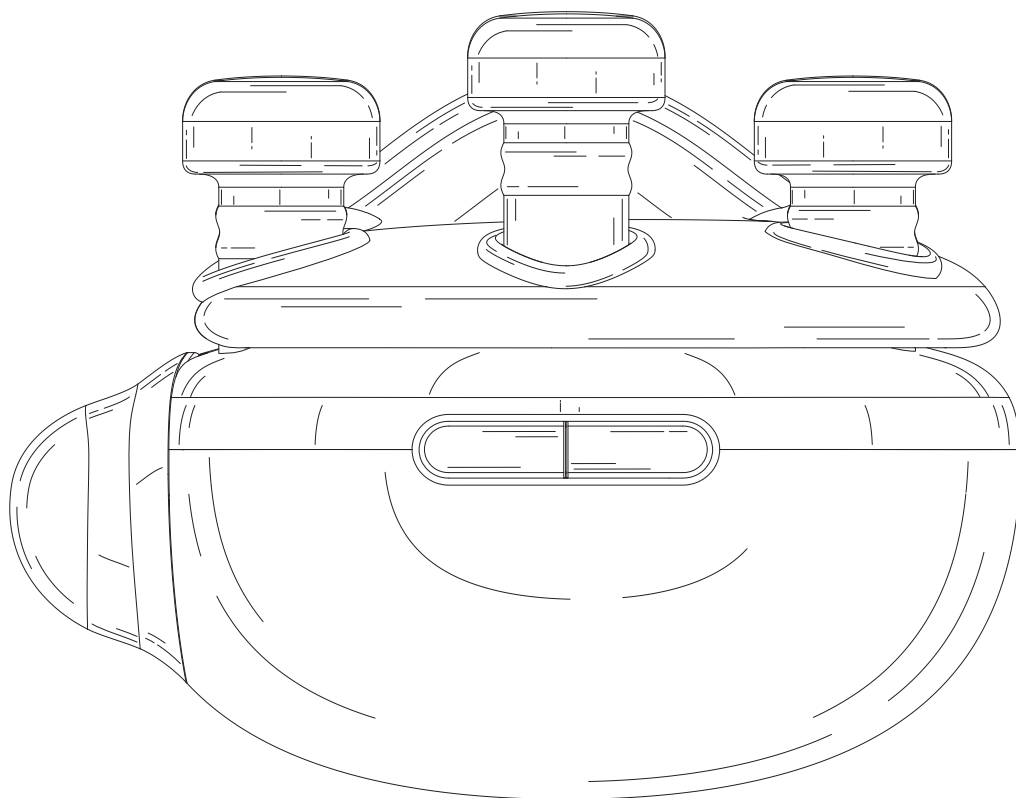


FIG. 6

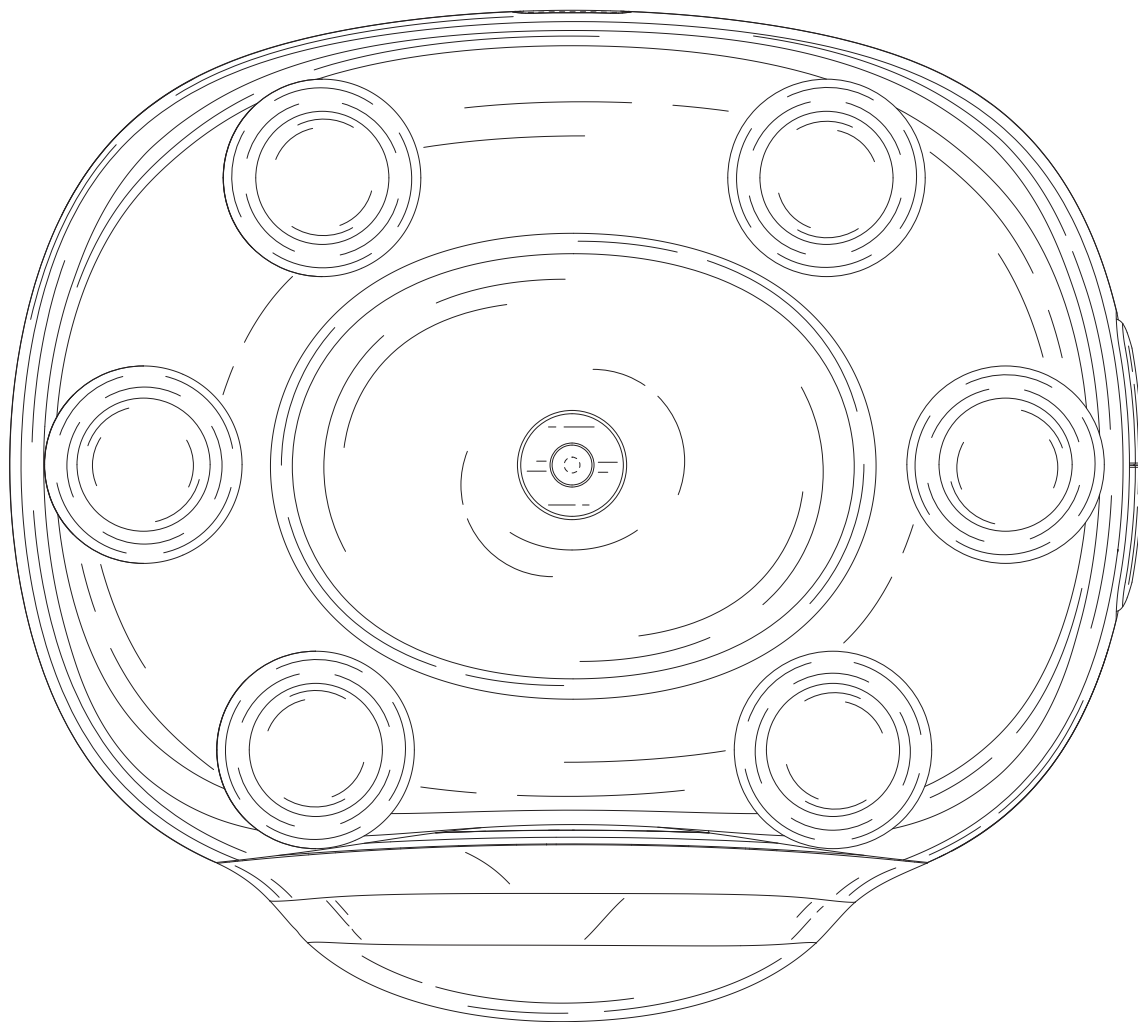


FIG. 7

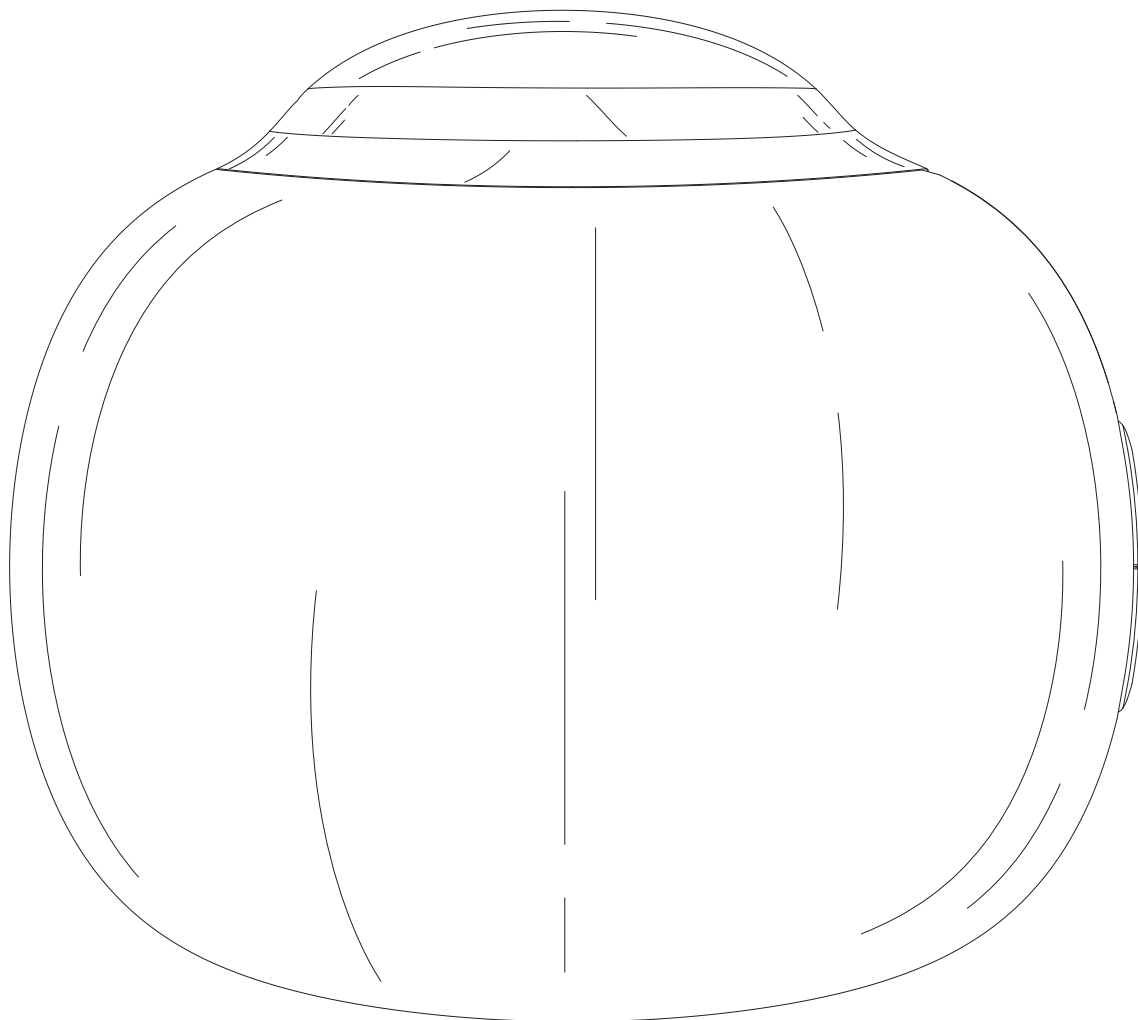


FIG. 8